

**MAIN PARTICULARS**

LENGTH oa	269.0 m
LENGTH pp about	260.0 m
LENGTH at DWL	260.0 m
LENGTH Subdivision	260.0 m
LENGTH Loadline	260.0 m
L Summer Load WL	260.0 m
LENGTH Rule	260.0 m
BREADTH MLD	32.2 m
BREADTH Deckhouse	28.0 m
DRAUGHT Design	7.5 m
DRAUGHT Maximum	7.8 m
DRAUGHT Scantling	7.8 m
HEIGHT of BHD Deck	10.5 m
HEIGHT of Safety Deck	19.0 m
HEIGHT A-Deck	28.7 m
GROSS TONNAGE	85000 prelim. estimate

**POSSIBLE DESIGN FEATURES**

- TRANSPORT OF PASSENGERS' CARS ON OPEN DECKS OR IN GARAGE? LIMITED NUMBER.
- EXCURSIONS IN HARBOURS IN REPLICA LIFEBOATS (TENDERING)?

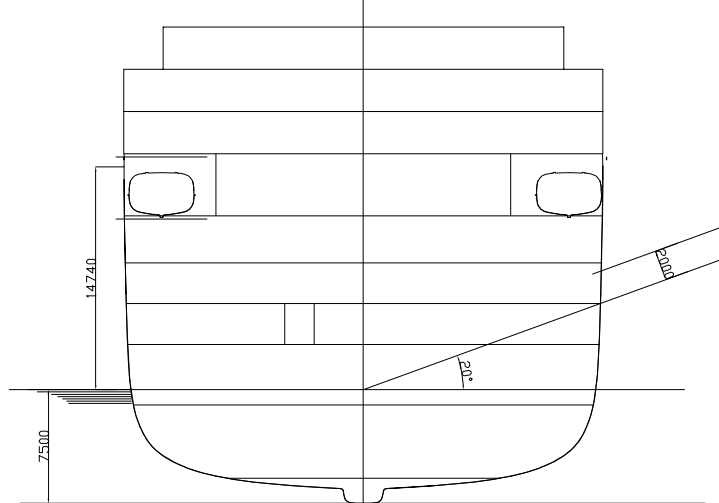
**GA QUESTIONS**

- PUBLIC TOILETS ?
- PRIVATE FACILITIES IN CABINS?
- FREE DECK HEIGHTS?
- CABIN SIZES?
- NUMBER OF CABINS IN DIFFERENT CATEGORIES?

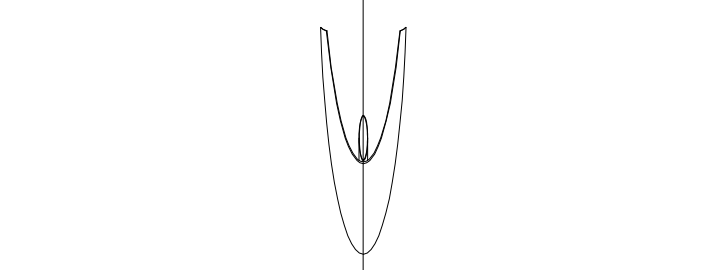
**GA DEVELOPMENT BACKGROUND**

- LOWER DECKS ARE TYPICAL FOR A MODERN CRUISE VESSEL
- FROM DECK D UPWARDS THE PUBLIC ROOMS, PASSENGER STAIRS, CABINS ETC ARE IN SIMILAR LOCATIONS AS IN THE ORIGINAL SHIP
- SEPARATION BETWEEN 1st, 2nd AND 3rd CLASS HAS BEEN KEPT
- ORIGINAL CABIN BLOCKS ARE INSERTED AND CABINS TO BE FURTHER DEVELOPED (SIZE, FACILITIES ...)
- A NEW 'SAFETY DECK' HAS BEEN INSERTED BETWEEN D AND C DECKS INCLUDING PROPER LIFEBOATS, MES (CHUTES OR SLIDES) AND NEW COMMON PUBLIC ROOMS
- MAIN FIRE ZONES HAVE BEEN INSERTED IN SO THAT THEY HAVE MINIMUM DISTURBANCE ON PUBLIC ROOMS
- NEW ESCAPE STAIRS, SERVICE ELEVATORS, AC ROOMS AND SIMILAR FUNCTIONS HAVE BEEN ADDED
- G DECK IS NOW FOR CREW ACCOMMODATION, LAUNDRY AND STORES & MACHINERY

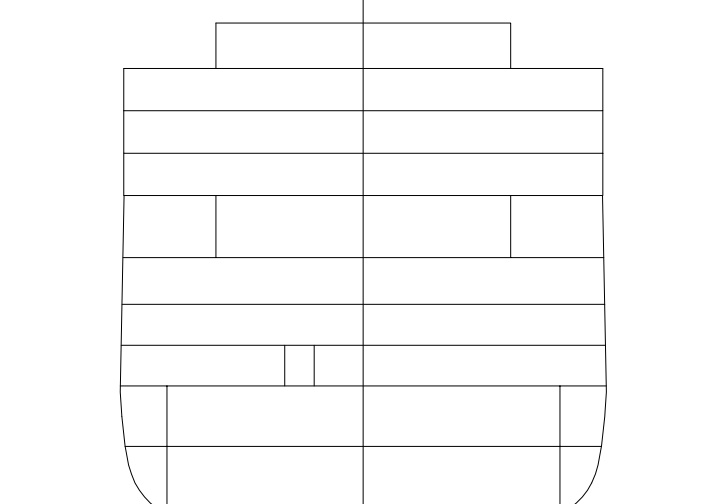
**CLASS DEFINITIONS**



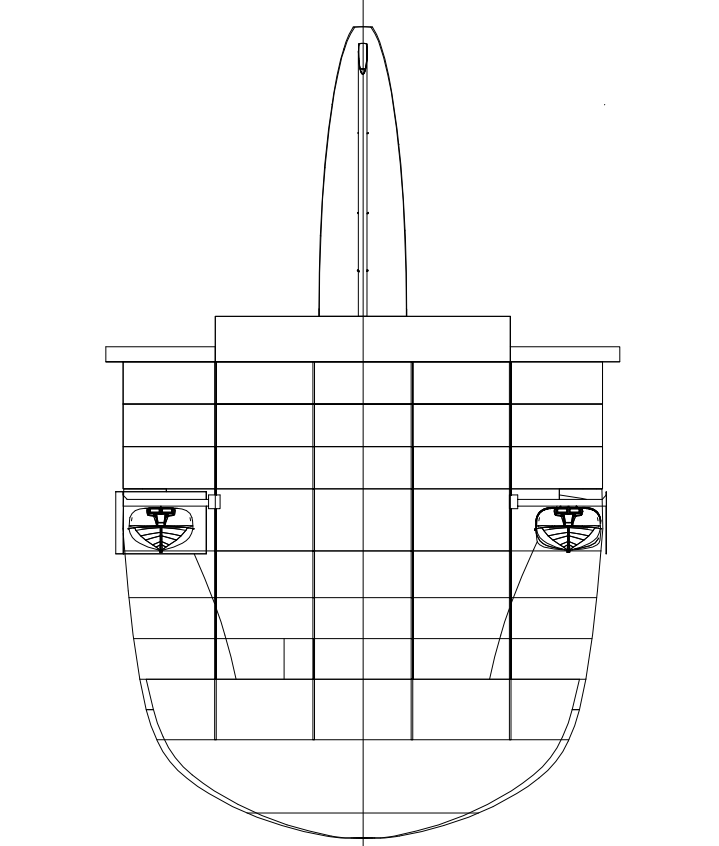
Frame 58



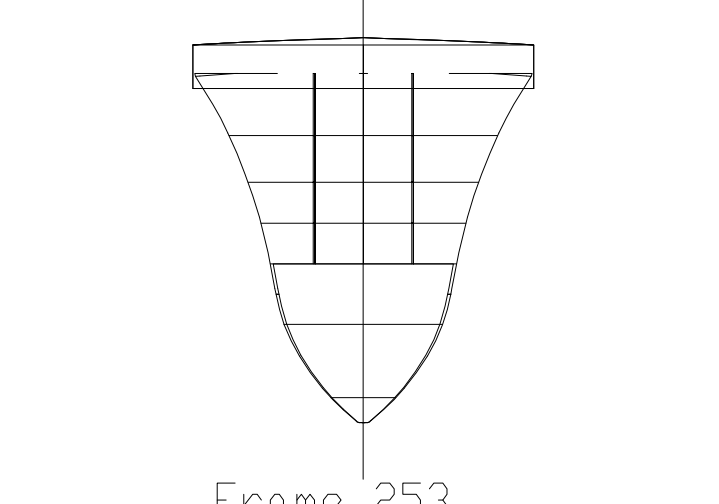
Frame 155



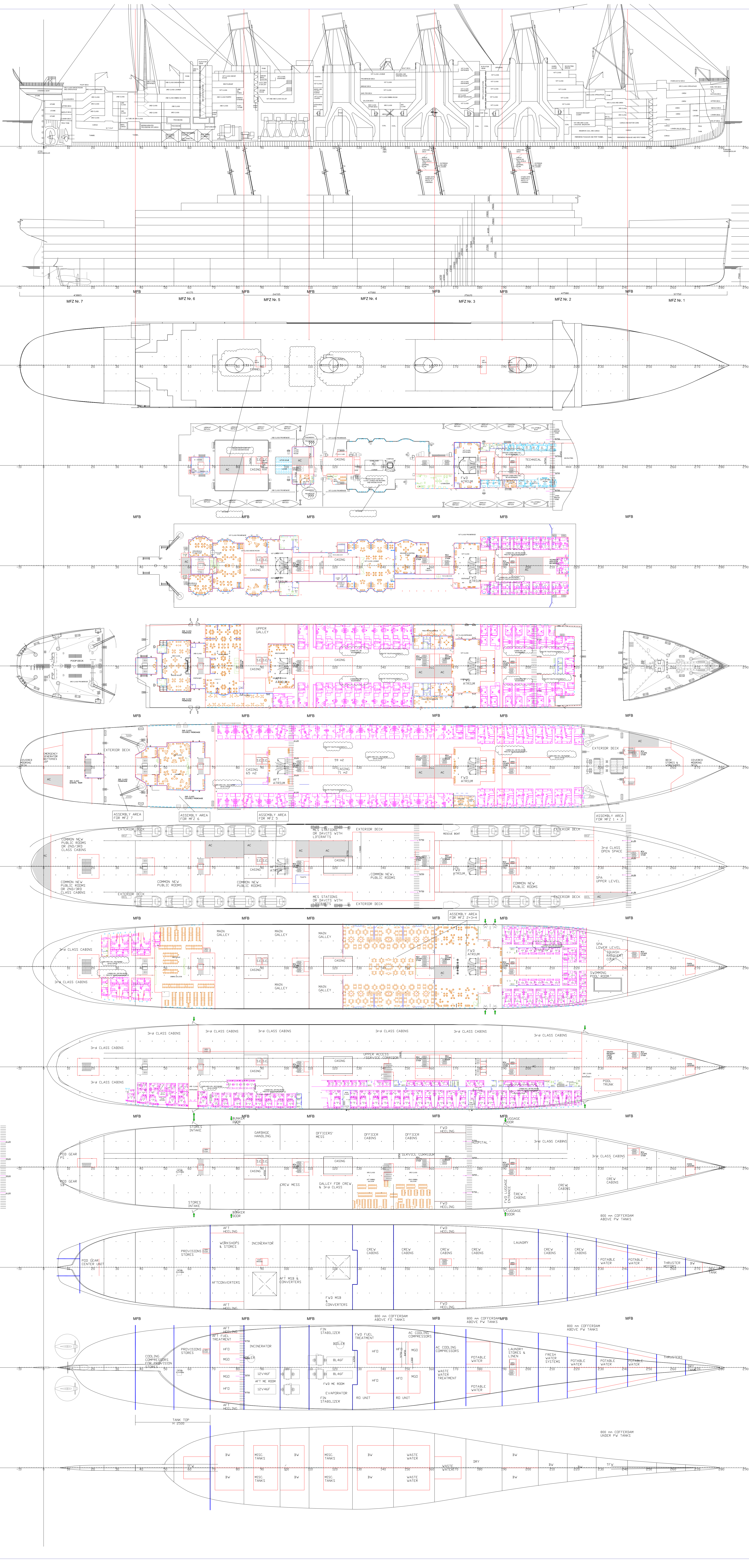
Frame 168



Frame 200



Frame 253



- Boot deck (31500)
- Promenade deck (A) (28700)
- Bridge deck (B) (25900)
- Shelter deck (C) (23100)
- Saloon deck (D) (15900)
- Upper deck (E) (13200)
- Middle deck (F) (10500)
- Lower deck (G) (6500)
- Tanktop (1650)

Deckhouse Top / Top View  
34500

Boot Deck  
31500

Promenade Deck (A)  
28700

Bridge Deck (B)  
25900

Shelter Deck (C)  
23100

Safety Deck (D)  
19000

Saloon Deck (D)  
15900

Upper Deck (E)  
13200

'BULKHEAD' DECK  
Middle Deck (F)  
10500

Lower Deck (G)  
6500

Tanktop  
1650

Below Tanktop

PRELIMINARY GA FOR OWNER'S COMMENTS AND BASIS FOR LIGHTWEIGHT AND OTHER CALCULATIONS

Rev.	Alteration or remark	Date	Drawn	Appr.
1		12.07.2012		
Drawn: SF/EAS 12.07.2012 Checked: EAS 12.07.2012 Appr.:		Scale: 1:500		
Name: General Arrangement Titanic II Project		Size: A0	Page: 1 of 1	Revision:

12.07.2012